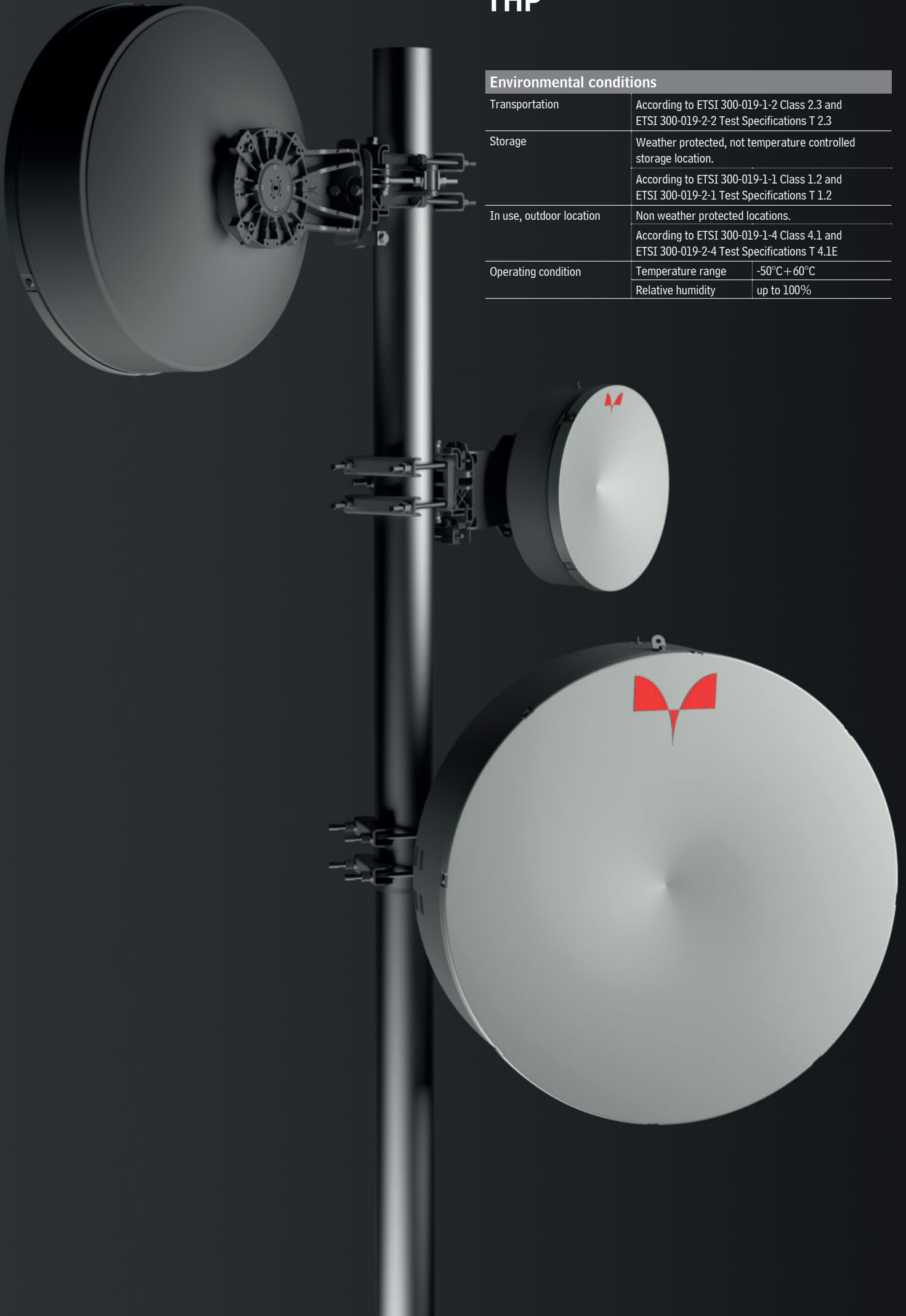


THP ANTENNAS

High Performance
Low Profile Antennas

Passive Microwave Components

High Performance Low Profile Antenna THP

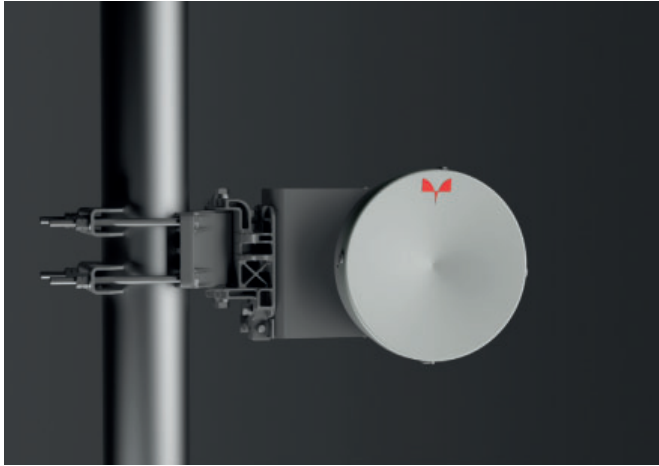


Environmental conditions

Transportation	According to ETSI 300-019-1-2 Class 2.3 and ETSI 300-019-2-2 Test Specifications T 2.3	
Storage	Weather protected, not temperature controlled storage location.	
	According to ETSI 300-019-1-1 Class 1.2 and ETSI 300-019-2-1 Test Specifications T 1.2	
In use, outdoor location	Non weather protected locations.	
	According to ETSI 300-019-1-4 Class 4.1 and ETSI 300-019-2-4 Test Specifications T 4.1E	
Operating condition	Temperature range	-50°C + 60°C
	Relative humidity	up to 100%

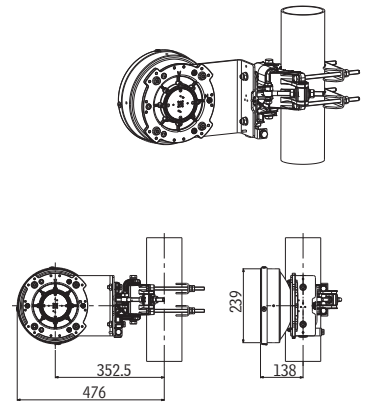
High Performance Low Profile Antenna THP 02

Diameter 0.2 m



Mechanical characteristics

Diameter	0.2 m	
Standard colour	RAL 7035	
Pole	50 ÷ 115 mm	
Elevation - fine adjustment	± 15°	
Azimuth - fine adjustment	± 20°	
Shroud	Low profile	
Radome	Rigid plastic	
Net weight (pole mount included)	6 kg	
Dimensions (pole mount including) for pole diameter of 115 mm	Height	239 mm
	Width	476 mm
	Depth	138 mm
Wind Velocity Operational	180 Km/h	
Wind Velocity Survival	250 Km/h	
Wind deflection (with a wind velocity of 45 m/s)	<0.3 times the -3 dB beamwidth (Specified wind deflection applies for 115 mm dia mounting pipe only)	

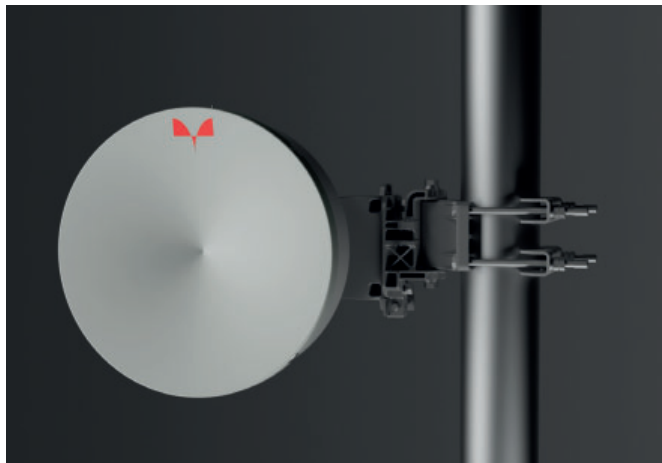


Frequency Range GHz	Type	Polar.	Gain [dBi]			VSWR	Return Loss dB	HPBW deg	Isolation dB	XPD dB	F/B dB	RPE* ETSI 302 217	Antenna Input IEC Wg
			Bot	Mid	Top								
21.2-23.6	THP 02-212S	Single	30.4	30.8	31.2	1.30	17.7	4.5	-	30	56	Class 2	R 220
24-24.25	THP 02-240S	Single	31.2	31.2	31.2	1.50	14.0	4.1	-	30	56	class 2	R 220
24.25-26.5	THP 02-245S	Single	31.4	31.8	32.2	1.30	17.7	3.7	-	30	53	Class 2	R 220
27.5-29.5	THP 02-275S	Single	32.2	32.6	33.0	1.30	17.7	3.4	-	30	53	Class 2	R 320
31-33.4	THP 02-318S	Single	33.0	33.4	33.8	1.30	17.7	3.0	-	30	54	Class 2	R 320
37-40	THP 02-370S	Single	34.5	34.9	35.3	1.30	17.7	2.8	-	30	57	Class 2	R 320
40.5-43.5	THP 02-405S	Single	35.5	36.3	36.6	1.30	17.7	2.2	-	30	57	Class 2	R 400 or R 500

High Performance Low Profile Antenna

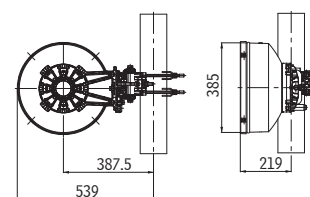
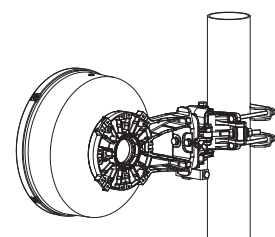
THP 03

Diameter 0.3 m



Mechanical characteristics

Diameter	0.3 m	
Standard colour	RAL 7035	
Pole	50 ÷ 115 mm	
Elevation - fine adjustment	± 15°	
Azimuth - fine adjustment	± 20°	
Shroud	Low profile	
Radome	Rigid plastic	
Net weight (pole mount included)	8,5 kg	
Dimensions (pole mount including) *for pole diameter of 115 mm	Height	385 mm
	Width	539 mm
	Depth	219 mm
Wind Velocity Operational	180 Km/h	
Wind Velocity Survival	250 Km/h	
Wind deflection (with a wind operational)	<0.3 times the -3 dB beamwidth (Specified wind deflection applies for 115 mm dia mounting pipe only)	



Frequency Range GHz	Type	Polar.	Gain [dBi]			VSWR	Return Loss dB	HPBW deg	Isolation dB	XPD dB	F/B dB	RPE* ETSI 302 217	Antenna Input IEC W/g
			Bot	Mid	Top								
12.7-13.25	THP 03-127S	Single	31.0	31.3	31.6	1.30	17.7	4.6	-	30	57	Class 3	R 120
	THP 03-127D	Dual	30.8	31.1	31.4	1.30	17.7	4.6	35	30	57	Class 3	R 120
14.2-15.35	THP 03-142S	Single	31.8	32.0	32.3	1.30	17.7	4.0	-	30	54	Class 2	R 140
	THP 03-142D	Dual	31.6	31.8	32.1	1.30	17.7	4.0	35	30	54	Class 2	R 140
17.1-17.3	THP 03-171S	Single	33.0	33.1	33.2	1.50	14.0	3.6	-	30	58	Class 2	R 220
	THP 03-171D	Dual	32.8	32.9	33.0	1.50	14.0	3.6	35	30	58	Class 2	R 220
17.7-19.7	THP 03-177S	Single	34.1	34.5	35.0	1.30	17.7	3.3	-	30	58	Class 2	R 220
	THP 03-177D	Dual	33.9	34.3	34.8	1.30	17.7	3.3	35	30	58	Class 2	R 220
21.2-23.6	THP 03-212S	Single	35.3	35.9	36.3	1.30	17.7	2.7	-	30	62	Class 3	R 220
	THP 03-212D	Dual	35.1	35.7	36.1	1.30	17.7	2.7	35	30	62	Class 3	R 220
24-24,25	THP 03-240S	Single	35.7	35.7	35.7	1.50	14.0	2.7	-	30	62	Class 3	R 220
	THP 03-240D	Dual	35.5	35.5	35.5	1.50	14.0	2.7	35	30	62	Class 3	R 220
24.25-26.5	THP 03-245S	Single	36.4	36.8	37.1	1.30	17.7	2.4	-	30	64	Class 3	R 220
	THP 03-245D	Dual	36.2	36.6	36.9	1.30	17.7	2.4	35	30	64	Class 3	R 220
27.5-29.5	THP 03-275S	Single	37.2	38.0	38.5	1.30	17.7	2.2	-	30	64	Class 3B	R 320
	THP 03-275D	Dual	37.0	37.8	38.3	1.30	17.7	2.2	35	30	64	Class 3B	R 320
31.0-33.4	THP 03-318S	Single	38.9	39.1	39.4	1.30	17.7	2.1	-	30	58	Class 3B	R 320
	THP 03-318D	Dual	38.7	38.9	39.2	1.30	17.7	2.1	35	30	58	Class 3B	R 320
37-40	THP 03-370S	Single	39.8	40.0	40.4	1.30	17.7	1.6	-	30	64	Class 3B	R 320
	THP 03-370D	Dual	39.6	39.8	40.2	1.30	17.7	1.6	35	30	64	Class 3B	R 320
40.5-43.5	THP 03-405S	Single	40.8	41.2	41.6	1.30	17.7	1.4	-	30	63	Class 3B	R 400 or R 500
	THP 03-405D	Dual	40.6	41.0	41.4	1.30	17.7	1.4	35	30	63	Class 3B	R 400 or R 500

High Performance Low Profile Antenna

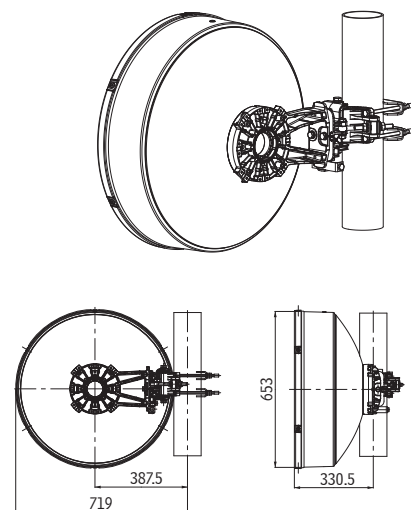
THP 06

Diameter 0.6 m



Mechanical characteristics

Diameter	0.6 m	
Standard colour	RAL 7035	
Pole	50 ÷ 115 mm	
Elevation - fine adjustment	± 15°	
Azimuth - fine adjustment	± 20°	
Shroud	Low profile	
Radome	Rigid plastic	
Net weight (pole mount included)	12 kg	
Dimensions (pole mount including) *for pole diameter of 115 mm	Height	653 mm
	Width	719 mm
	Depth	330.5 mm
Wind Velocity Operational	180 Km/h	
Wind Velocity Survival	250 Km/h	
Wind deflection (with a wind velocity operational)	<0.3 times the -3 dB beamwidth (Specified wind deflection applies for 115 mm dia mounting pipe only)	



Frequency Range GHz	Type	Polar.	Gain [dBi]			VSWR	Return Loss dB	HPBW deg	Isolation dB	XPD dB	F/B dB	RPE* ETSI 302 217	Antenna Input IEC Wg
			Bot	Mid	Top								
5.25-5.85	THP 06-0525 S	Single	28.0	28.1	28.2	1.50	14.0	6.0	-	30	49	Class 2	Interface for N connector
	THP 06-0525 D	Dual	28.0	28.1	28.2	1.50	14.0	6.0	35	30	49	Class 2	
5.925-7.125	THP 06-059S WB	Single	28.4	29.0	29.8	1.30	17.7	5.8	-	30	51	Class 2	R 70
	THP 06-059D WB	Dual	28.2	28.8	29.6	1.30	17.7	5.8	35	30	51	Class 2	
7.125-8.5	THP 06-071S WB	Single	30.5	31.0	31.9	1.30	17.7	4.5	-	30	57	Class 3	R 84
	THP 06-071D WB	Dual	30.3	30.8	31.7	1.30	17.7	4.5	35	30	57	Class 3	
10.0-11.7	THP 06-100S WB	Single	33.9	34.5	35.2	1.30	17.7	3.4	-	30	60	Class 3	R 100 (IEC R 120 on request)
	THP 06-100D WB	Dual	33.7	34.3	35.0	1.30	17.7	3.4	35	30	60	Class 3	
12.7-13.25	THP 06-127S	Single	35.8	36.0	36.2	1.30	17.7	2.7	-	30	62	Class 3	R 120
	THP 06-127D	Dual	35.6	35.8	36.0	1.30	17.7	2.7	35	30	62	Class 3	
14.2-15.35	THP 06-142S	Single	36.8	37.1	37.4	1.30	17.7	2.4	-	30	64	Class 3	R 140
	THP 06-142D	Dual	36.6	36.9	37.2	1.30	17.7	2.4	35	30	64	Class 3	
17.1-17.3	THP 06-171S	Single	38.2	38.3	38.4	1.50	14.0	2.3	-	30	67	Class 3	R 220
	THP 06-171D	Dual	38.0	38.1	38.2	1.50	14.0	2.3	35	30	67	Class 3	
17.7-19.7	THP 06-177S	Single	38.7	39.0	39.5	1.30	17.7	2.0	-	30	67	Class 3	R 220
	THP 06-177D	Dual	38.5	38.8	39.3	1.30	17.7	2.0	35	30	67	Class 3	
21.2-23.6	THP 06-212S	Single	40.0	40.6	41.0	1.30	17.7	1.7	-	30	68	Class 3	R 220
	THP 06-212D	Dual	39.8	40.4	40.8	1.30	17.7	1.7	35	30	68	Class 3	
24-24.25	THP 06-240S	Single	40.6	40.6	40.6	1.50	14.0	1.7	-	30	68	Class 3	R 220
	THP 06-240D	Dual	40.4	40.4	40.4	1.50	14.0	1.7	35	30	68	Class 3	
24.25-26.5	THP 06-245S	Single	41.7	42.3	42.6	1.30	17.7	1.4	-	30	68	Class 3	R 220
	THP 06-245D	Dual	41.5	42.1	42.4	1.30	17.7	1.4	35	30	68	Class 3	
27.5-29.5	THP 06-275S	Single	42.7	43.0	43.2	1.30	17.7	1.2	-	30	68	Class 3	R 320
	THP 06-275D	Dual	42.5	42.8	43.0	1.30	17.7	1.2	35	30	68	Class 3	
31.0-33.4	THP 06-318S	Single	43.4	43.9	44.4	1.30	17.7	1.1	-	30	66	Class 3B	R 320
	THP 06-318D	Dual	43.2	43.7	44.2	1.30	17.7	1.1	35	30	66	Class 3B	
37-40	THP 06-370S	Single	44.7	45.0	45.3	1.30	17.7	1.0	-	30	64	Class 3B	R 320
	THP 06-370D	Dual	44.5	44.8	45.1	1.30	17.7	1.0	35	30	64	Class 3B	
40.5-43.5	THP 06-405S	Single	45.5	45.8	46.1	1.30	17.7	0.8	-	30	68	Class 3B	R 400 or R 500
	THP 06-405D	Dual	45.3	45.6	45.9	1.30	17.7	0.8	35	30	68	Class 3B	

High Performance Low Profile Antenna THP 08

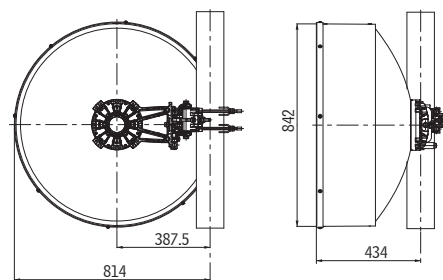
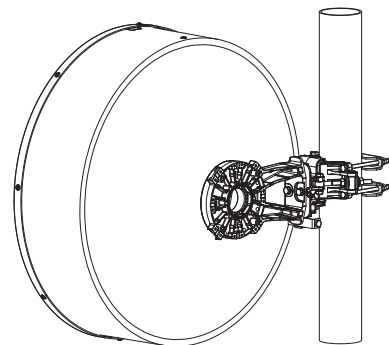
Diameter 0.8 m



Mechanical characteristics

Diameter	0.8 m	
Standard colour	RAL 7035	
Pole	115 mm	
Elevation - fine adjustment	± 15°	
Azimuth - fine adjustment	± 20°	
Shroud	Low profile	
Radome	Rigid plastic	
Net weight (pole mount included)	17 kg	
Side struts, included	0	
Side struts, optional	1	
Dimensions (pole mount including) for pole diameter of 115 mm	Height	842 mm
	Width	814 mm
	Depth	434 mm
Wind Velocity Operational	110 Km/h (180 Km/h)*	
Wind Velocity Survival	250 Km/h	
Wind Velocity Operational (with a wind velocity of 30 m/s)	<0.3 times the -3 dB beamwidth	

* with optional side strut



Frequency Range GHz	Type	Polar.	Gain [dBi]			VSWR	Return Loss dB	HPBW deg	Isolation dB	XPD dB	F/B dB	RPE* ETSI 302 217	Antenna Input IEC Wg
			Bot	Mid	Top								
5.25-5.85	THP 08-0525 S	Single	29.8	30.1	30.5	1.50	14.0	5.0	-	30	51	Class 2	Interface for N connector
	THP 08-0525 D	Dual	29.8	30.1	30.5	1.50	14.0	5.0	35	30	51	Class 2	
5.925-7.125	THP 08-059S WB	Single	31.3	31.9	32.7	1.30	17.7	4.8	-	30	53	Class 2	R 70
	THP 08-059D WB	Dual	31.1	31.7	32.5	1.30	17.7	4.8	35	30	53	Class 2	
7.125-8.5	THP 08-071S WB	Single	33.2	33.8	34.3	1.30	17.7	4.0	-	30	60	Class 3	R 84
	THP 08-071D WB	Dual	32.7	33.3	33.8	1.30	17.7	4.0	35	30	60	Class 3	
10.0-11.7	THP 08-100S WB	Single	36.3	36.9	37.5	1.30	17.7	2.8	-	30	64	Class 3	R 100 (IEC R 120 on request)
	THP 08-100D WB	Dual	36.1	36.7	37.3	1.30	17.7	2.8	35	30	64	Class 3	
12.7-13.25	THP 08-127S	Single	38.3	38.6	38.9	1.30	17.7	2.2	-	30	64	Class 3	R 120
	THP 08-127D	Dual	38.1	38.4	38.7	1.30	17.7	2.2	35	30	64	Class 3	
14.2-15.35	THP 08-142S	Single	39.3	39.7	40.0	1.30	17.7	2.0	-	30	68	Class 3	R 140
	THP 08-142D	Dual	39.1	39.5	39.8	1.30	17.7	2.0	35	30	68	Class 3	
17.1-17.3	THP 08-171S	Single	40.5	40.6	40.7	1.50	14.0	1.9	-	30	70	Class 3	R 220
	THP 08-171D	Dual	40.3	40.4	40.5	1.50	14.0	1.9	35	30	70	Class 3	
17.7-19.7	THP 08-177S	Single	41.3	42.1	42.4	1.30	17.7	1.6	-	30	70	Class 3	R 220
	THP 08-177D	Dual	41.1	41.9	42.2	1.30	17.7	1.6	35	30	70	Class 3	
21.2-23.6	THP 08-212S	Single	42.7	43.0	43.3	1.30	17.7	1.3	-	30	67	Class 3	R 220
	THP 08-212D	Dual	42.5	42.8	43.1	1.30	17.7	1.3	35	30	67	Class 3	
24-24.25	THP 08-240S	Single	43.3	43.3	43.3	1.50	14.0	1.3	-	30	67	Class 3	R 220
	THP 08-240D	Dual	43.1	43.1	43.1	1.50	14.0	1.3	35	30	67	Class 3	
24.25-26.5	THP 08-245S	Single	43.3	43.6	43.9	1.30	17.7	1.2	-	30	72	Class 3	R 220
	THP 08-245D	Dual	43.0	43.3	43.6	1.30	17.7	1.2	35	30	72	Class 3	
27.5-29.5	THP 08-275S	Single	44.4	44.7	45.0	1.30	17.7	1.0	-	30	70	Class 3	R 320
	THP 08-275D	Dual	44.1	44.4	44.7	1.30	17.7	1.0	35	30	70	Class 3	
31.0-33.4	THP 08-318S	Single	45.3	45.6	45.9	1.30	17.7	0.9	-	30	63	Class 3B	R 320
	THP 08-318D	Dual	45.0	45.3	45.6	1.30	17.7	0.9	35	30	63	Class 3B	
37-40	THP 08-370S	Single	46.8	47.0	47.2	1.30	17.7	0.8	-	30	64	Class 3B	R 320
	THP 08-370D	Dual	46.5	46.7	46.9	1.30	17.7	0.8	35	30	64	Class 3B	

Specifications are subject to change without notice

* ANATEL & FCC Versions are available

High Performance Low Profile Antenna

THP 12

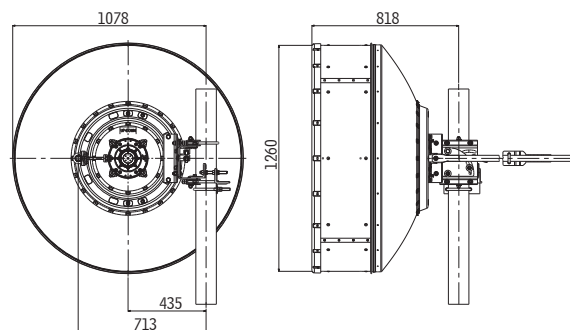
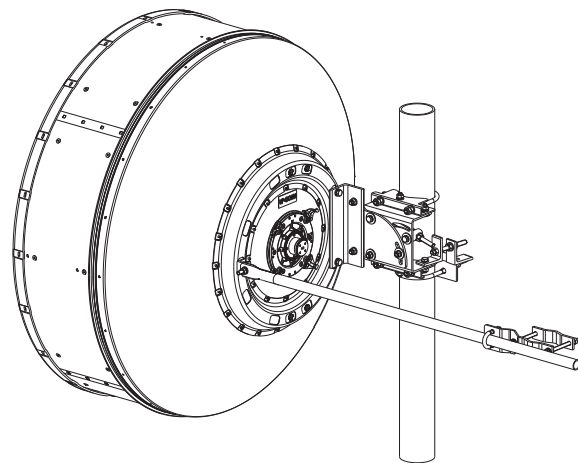
Diameter 1.2 m



Mechanical characteristics

Diameter	1.2 m	
Standard colour	RAL 7035	
Pole	115 mm	
Elevation - fine adjustment	± 15°	
Azimuth - fine adjustment	± 10°	
Shroud	Low profile	
Radome	Rigid plastic	
Net weight (pole mount included)	50 kg	
Side struts, included	1	
Side struts, optional	1	
Dimensions (pole mount including) for pole diameter of 115 mm	Height	1260 mm
	Width	1260 mm
	Depth	808 mm
Wind Velocity Operational	180 Km/h (200 Km/h)*	
Wind Velocity Survival	250 Km/h	
Wind deflection (with a wind velocity operational)	<0.3 times the -3 dB beamwidth	

* with optional 2nd side strut (one is included by default)



Frequency Range GHz	Type	Polar.	Gain [dBi]			VSWR	Return Loss dB	HPBW deg	Isolation dB	XPB dB	F/B dB	RPE* ETSI 302 217	Antenna Input IEC Wg
			Bot	Mid	Top								
5.25-5.85	THP 12-0525 S	Single	32.9	33.3	33.7	1.50	14.0	4.0	-	30	54	Class 2	Interface for N connector
	THP 12-0525 D	Dual	32.9	33.3	33.7	1.50	14.0	4.0	35	30	54	Class 2	
5.925-7.125	THP 12-059S WB	Single	35.2	35.7	36.2	1.30	17.7	3.0	-	30	62	Class 3	R 70
	THP 12-059D WB	Dual	35.0	35.5	36.0	1.30	17.7	3.0	35	30	62	Class 3	
7.125-8.5	THP 12-071S WB	Single	36.4	37.0	37.6	1.30	17.7	2.5	-	30	63	Class 3	R 84
	THP 12-071D WB	Dual	36.2	36.8	37.4	1.30	17.7	2.5	35	30	63	Class 3	
10.0-11.7	THP 12-100S WB	Single	39.4	40.0	40.6	1.30	17.7	1.8	-	30	69	Class 3	R 100 (IEC R 120 on request)
	THP 12-100D WB	Dual	39.2	39.8	40.4	1.30	17.7	1.8	35	30	69	Class 3	
12.7-13.25	THP 12-127S	Single	41.6	41.9	42.2	1.30	17.7	1.4	-	30	69	Class 3	R 120
	THP 12-127D	Dual	41.4	41.7	42.0	1.30	17.7	1.4	35	30	69	Class 3	
14.2-15.35	THP 12-142S	Single	42.7	42.9	43.1	1.30	17.7	1.2	-	30	70	Class 3	R 140
	THP 12-142D	Dual	42.5	42.7	42.9	1.30	17.7	1.2	35	30	70	Class 3	
17.1-17.3	THP 12-171S	Single	43.9	44.0	44.1	1.50	14.0	1.0	-	30	73	Class 3	R 220
	THP 12-171D	Dual	43.7	43.8	43.9	1.50	14.0	1.0	35	30	73	Class 3	
17.7-19.7	THP 12-177S	Single	44.3	45.0	45.4	1.30	17.7	0.9	-	30	73	Class 3	R 220
	THP 12-177D	Dual	44.1	44.8	45.2	1.30	17.7	0.9	35	30	73	Class 3	
21.2-23.6	THP 12-212S	Single	45.9	46.3	46.7	1.30	17.7	0.8	-	30	72	Class 3	R 220
	THP 12-212D	Dual	45.7	46.1	46.5	1.30	17.7	0.8	35	30	72	Class 3	
24-24.25	THP 12-240S	Single	46.7	46.7	46.7	1.50	14.0	0.8	-	30	72	Class 3	R 220
	THP 12-240D	Dual	46.5	46.5	46.5	1.50	14.0	0.8	35	30	72	Class 3	
24.5-26.5	THP 12-245S	Single	46.9	47.3	47.8	1.30	17.7	0.7	-	30	73	Class 3	R 220
	THP 12-245D	Dual	46.7	47.1	47.6	1.30	17.7	0.7	35	30	73	Class 3	
27.5-29.5	THP 12-275S	Single	47.8	48.1	48.4	1.30	17.7	0.65	-	30	74	Class 3	R 320
	THP 12-275D	Dual	47.5	47.8	48.1	1.30	17.7	0.65	35	30	74	Class 3	

High Performance Low Profile Antenna THP 18

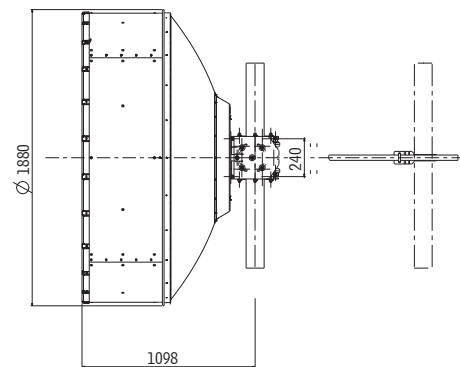
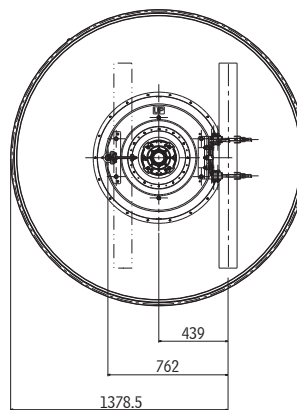
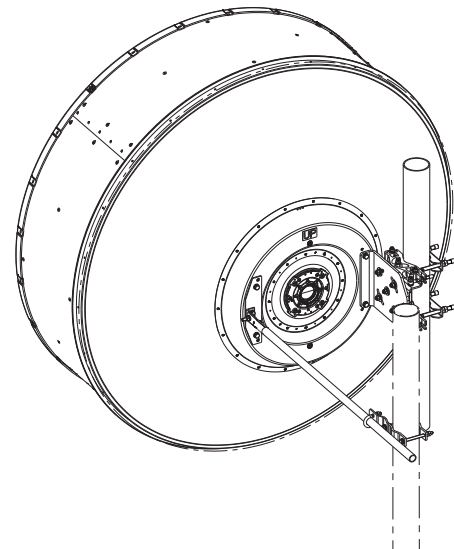
Diameter 1.8 m



Mechanical characteristics

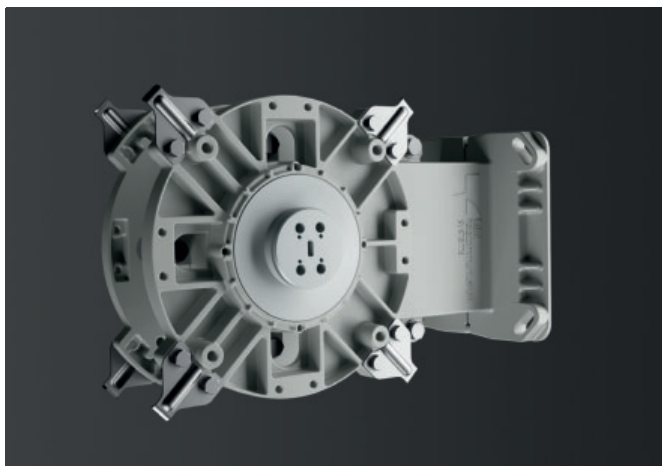
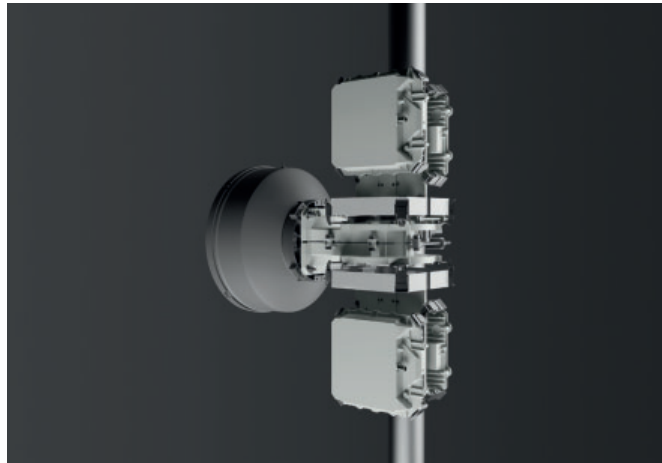
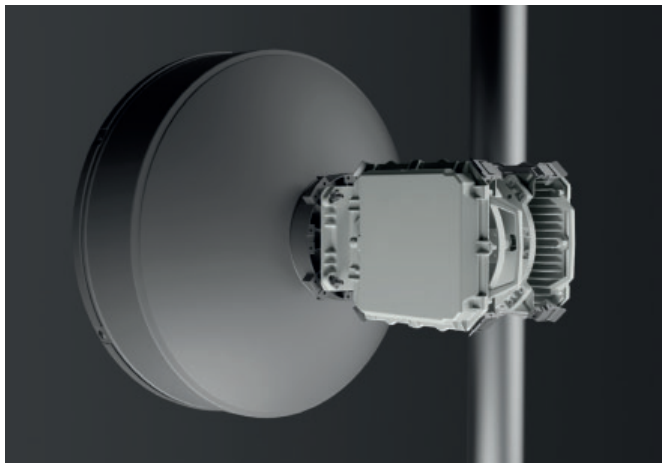
Diameter	1.8 m		
Standard colour	RAL 7035		
Pole	115 mm		
Elevation - fine adjustment	± 15°		
Azimuth - fine adjustment	± 10°		
Shroud	Low profile		
Radome	Rigid plastic		
Net weight (pole mount included)	85 kg		
Side struts, included	1		
Side struts, optional	1		
Dimensions (pole mount including) for pole diameter of 115 mm	Height	1878 mm	
	Width	1878 mm	
	Depth	1098 mm	
Wind Velocity Operational	180 Km/h (200 Km/h)*		
Wind Velocity Survival	250 Km/h		
Wind Velocity Operational (with a wind velocity of 45 m/s)	<0.3 times the -3 dB beamwidth		

* with optional 2nd side strut (one is included by default)



Frequency Range GHz	Type	Polar.	Gain [dBi]			VSWR	Return Loss dB	HPBW deg	Isolation dB	XPD dB	F/B dB	RPE* ETSI 302 217	Antenna Input IEC Wg
			Bot	Mid	Top								
5.25-5.85	THP 18-0525 S	Single	36.6	37.1	37.5	1.5	14.0	1.8	-	30	60	Class 2	Interface for N connector
	THP 18-0525 D	Dual	36.6	37.1	37.5	1.5	14.0	1.8	35				
5.925-7.125	THP 18-059S WB	Single	38.5	39.3	39.9	1.3	17.7	2.0	-	30	68	Class 3	R 70
	THP 18-059D WB	Dual	38.3	39.1	39.7	1.3	17.7	2.0	35				
7.125-8.5	THP 18-071S WB	Single	40.1	40.6	41.1	1.3	17.7	1.6	-	30	68	Class 3	R 84
	THP 18-071D WB	Dual	39.9	40.4	40.9	1.3	17.7	1.6	35				
10.0-11.7	THP 18-100S WB	Single	42.5	43.4	44.2	1.3	17.7	1.1	-	30	71	Class 3	R 100
	THP 18-100D WB	Dual	42.3	43.2	44.0	1.3	17.7	1.1	35				
12.7-13.25	THP 18-127S	Single	45.2	45.5	45.8	1.3	17.7	0.9	-	30	71	Class 3	R 120
	THP 18-127D	Dual	45.0	45.3	45.7	1.3	17.7	0.9	35				
14.2-15.35	THP 18-144S	Single	45.9	46.2	46.5	1.3	17.7	0.8	-	30	74	Class 3	R 140
	THP 18-144D	Dual	45.7	46.0	46.3	1.3	17.7	0.8	35				
17.1-17.3	THP 18-171S	Single	47.0	47.1	47.2	1.5	14.0	1.0	-	30	76	Class 3	R 220
	THP 18-171D	Dual	46.8	46.9	47.0	1.5	14.0	1.0	35				
17.7-19.7	THP 18-177S	Single	47.8	48.3	49.0	1.3	17.7	0.7	-	30	76	Class 3	R 220
	THP 18-177D	Dual	47.6	48.1	48.8	1.3	17.7	0.7	35				
21.2-23.6	THP 18-212S	Single	49.2	50.0	50.4	1.3	17.7	0.5	-	30	76	Class 3	R 220
	THP 18-212D	Dual	49.0	49.8	50.2	1.3	17.7	0.5	35				
24-24.25	THP 18-240S	Single	49.7	49.7	49.7	1.5	14.0	0.5	-	30	76	Class 3	R 220
	THP 18-240D	Dual	49.5	49.5	49.5	1.5	14.0	0.5	35				

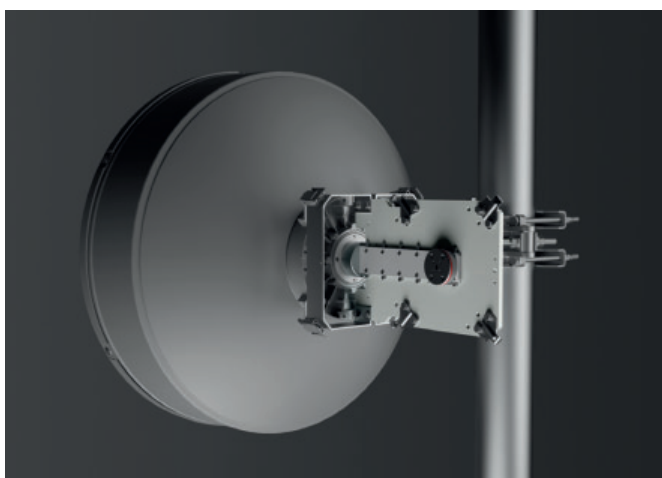
Passive Microwave OMT KIT



A complete family of Ortho Mode Transducer are available in the frequency ranges from 6 GHz up to 42 GHz, for dual polarized integrated antennas (THPxx-yyy DI). Faini's OMT has been designed to support n° 2 ODU's (for standard XPIC configuration) or n° 4 ODU's for 2+2 dual polarized protected links. Faini's OMTs are included in the THPxx-yyy DI antennas and are also available as a kit to upgrade a single pol. antennas (THPxx-yyy S) to a double pol. integrated antenna (THPxx-yyy DI), directly on the field. The completeness of Faini's products portfolio allow your link to be upgraded according to actual needs, as soon as they come! Available ODU's interfaces are for Siae, Intracom, Remec, Youncta (Linkra), NSN, or any other upon request. THP integrated dual pol antennas are available in both licensed and unlicensed frequency ranges, please refer to our web site www.fainitelecommunication.com for a complete list of available antennas and OMT kit. Different frequency ranges are also available upon request. Please contact info@fainitelecommunication.com for further details.

Get maximum flexibility today and enable your network to grow up tomorrow!

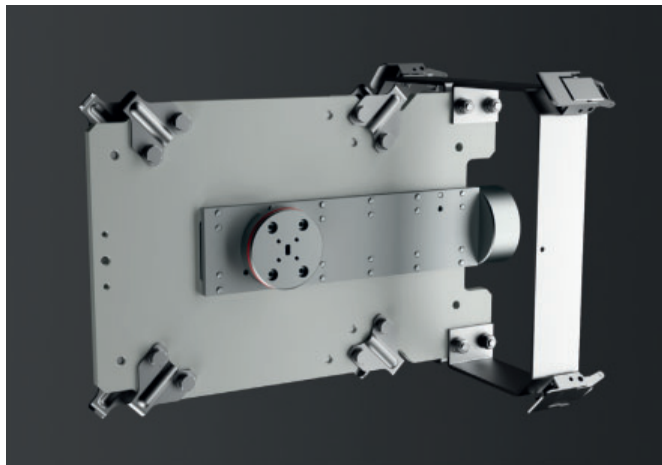
Passive Microwave COMPACT ANTENNA SYSTEM



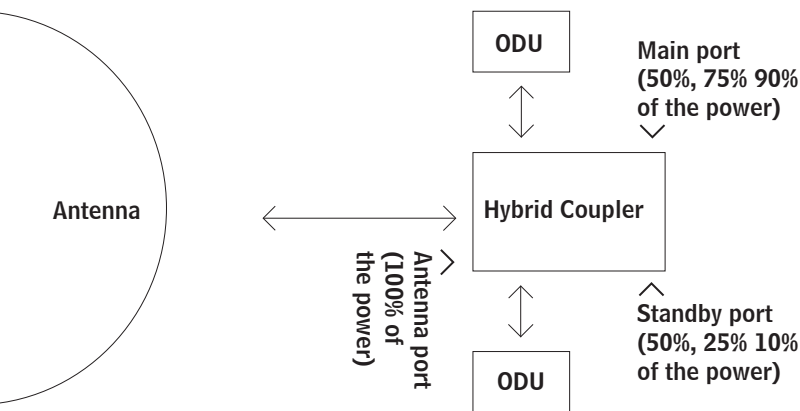
Compact Antenna System is a single polarized antenna with an embedded hybrid coupler ready to accommodate integrated two radios with predefined the splitting ratio. Antenna and Coupler are included into the same packaging and orderable with a unique part number.

It is the best solution to minimize logistics (ordering, handling and warehousing costs) for either protected hot-standby (1+1) or RLA Radio Link Aggregation (2+0) configurations.

HYBRID COUPLERS FOR OUTDOOR RADIO UNITS



A complete family of hybrid couplers are available in the frequency ranges from 6 GHz up to 42 GHz, with different coupling coefficients and customized interfaces. Faini's couplers are very easy to be installed, allow a good clearance for the installation and maintenance of the radio equipments and are suitable for both integrated and separated installation. Available coupling coefficients are 3dB (symmetrical), 6dB (Asymmetrical 25%), 10dB (Asymmetrical 10%), or any other upon request. Available ODU's interfaces are for Siae, Intracom, Remec, Youncta (Linkra), NSN, or any other upon request. Electrical characteristics in the available frequency ranges are listed in the table below. Different frequency ranges and wide band solutions are also available upon request. Please contact info@fainitelecommunication.com for further details.



Hybrid Coupler characteristics														
Frequency range (GHz)		5.925 – 7.125	7.125 – 8.5	10 – 11.7	12.7 – 13.25	14.2 – 15.35	17.7 – 19.7	21.2 – 23.6	24.5 – 26.5	24.5 – 29.5	27.5 – 29.5	31.8 – 33.4	37.0 – 40.0	40.5 – 43.5
Symmet. -3	Insertion Loss, Main (dB)	3.9	3.9	3.9	3.5	3.5	3.5	3.5	3.8	3.9	3.8	3.8	3.8	3.9
	Insertion Loss, Standby (dB)	3.9	3.9	3.9	3.5	3.5	3.5	3.5	3.8	3.9	3.8	3.8	3.8	3.9
Asymmet. -6	Insertion Loss, Main (dB)	1.9	1.9	1.9	1.7	1.7	1.7	1.7	1.8	1.8	1.8	1.8	1.8	1.9
	Insertion Loss, Standby (dB)	7.3	7.3	7.3	7.0	7.0	7.0	7.0	7.2	7.2	7.2	7.2	7.2	7.3
Asymmet. -10	Insertion Loss, Main (dB)	1.2	1.2	1.2	1.0	1.0	1.0	1.0	1.1	1.1	1.1	1.1	1.1	1.3
	Insertion Loss, Standby (dB)	11.0	11.0	11.0	10.8	10.8	10.8	10.8	11.0	11.0	11.0	11.0	11.0	11.2
R.L. @ coupler ports (dB)		-17.7	-17.7	-17.7	-20.8	-20.8	-20.8	-20.8	-20.8	-17.7	-20.8	-20.8	-20.8	-20.8
VSWR @ coupler port (dB)		1.3	1.3	1.3	1.2	1.2	1.2	1.2	1.2	1.3	1.2	1.2	1.2	1.2
Inter port Isolation (dB)		21	21	21	21	21	21	21	21	21	21	21	21	21
Waveguide *		R70	R84	R100	R120	R140	R220	R220	R220	R260	R320	R320	R320	R400

* Other waveguides are available upon request





Fabbrica Italiana Antenne
Faini telecommunication systems s.r.l.
Via Ippolito Nievo, 75
20900 Monza (MB) Italy
info@fainitelecommunication.com
www.fainitelecommunication.com